



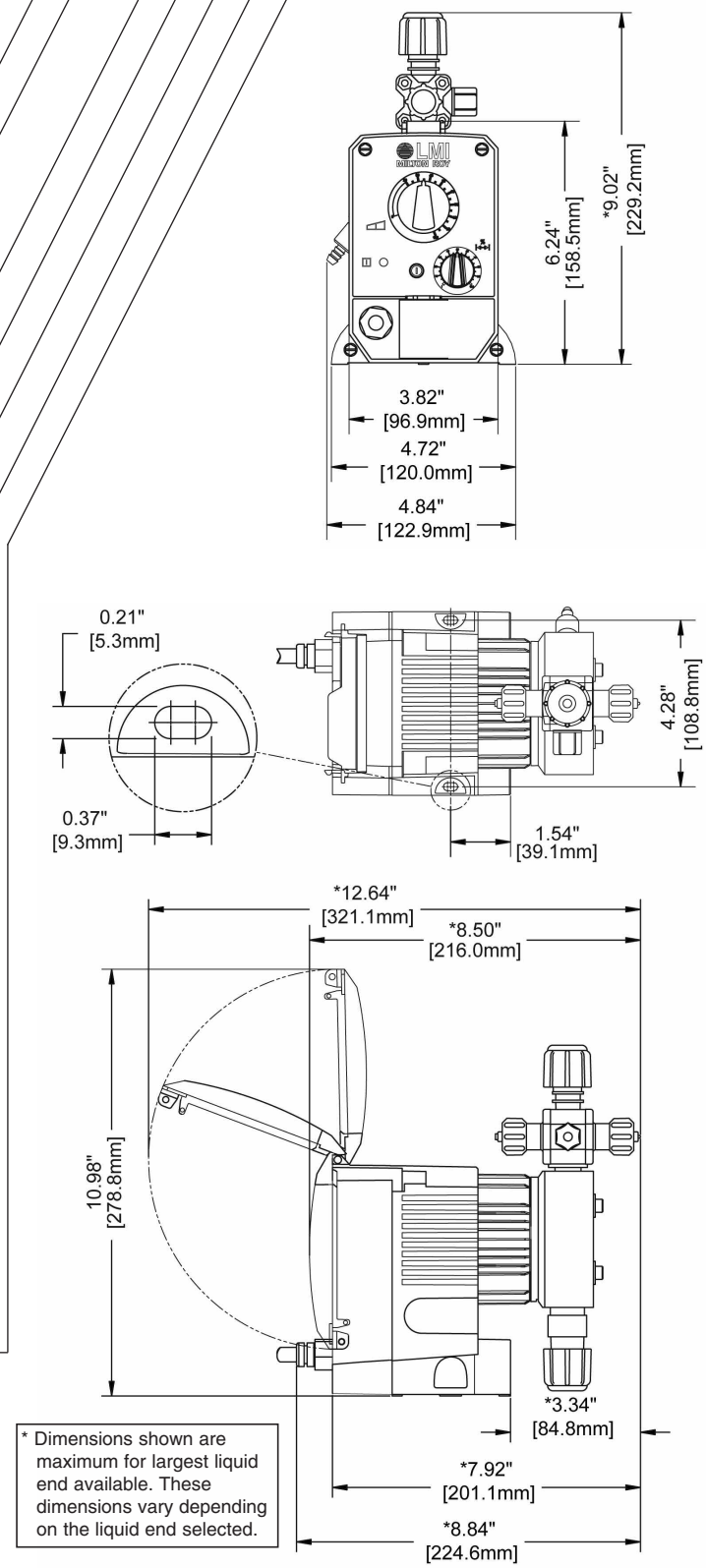
ROYTRONIC™

SERIES P

Model P+ 7 5 1 - 8 2 8 S I

Model Code Configuration

Control Code	
0 - Single Manual Control:	Speed (stroking frequency) fixed and stroke length manually adjustable
1 - Dual Manual Control:	Speed (stroking frequency) and stroke length manually adjustable
3 - Pulse Input / Single Manual Control:	External control capability through pulse input and low level float switch plus manual control adjustments of control code 0
7 - Pulse Input / Dual Manual Control:	External control capability through pulse input and low level float switch plus manual control adjustments of control code 1
8 - Analog Input / Dual Manual Control:	External control capability through 4-20 mA input and low level float switch plus manual control adjustments of control code 1
Output Codes	
See Next Page for Output Options	
Voltage Code	
1	110-120V US Plug
2	220-240V US Plug
3	220-240V DIN Plug
4	220-240V Israel Plug
5	220-240V UK Plug
6	220-240V Aust/NZ Plug
7	220-240V Swiss Plug
8	110-120V No Plug
9	220-240V Indian Plug
Liquid End Code	
See Next Page for Options	
Liquifram™ Size Code	
1	0.2 in ²
2	0.4 in ²
3	0.8 in ²
4	1.6 in ²
Material Code	
See Next Page for Material Options	
Head/Valve Code	
S	FastPrime™ Head + 4FV
N	FastPrime™ Head
H	AutoPrime™ Head + 4FV
A	AutoPrime™ Head
Connection Code	
I	Inch Tubing
M	Metric Tubing
P	1/2" NPT - 1/2" BSP Pipe
U	Black, UV Resistant Tubing



* Dimensions shown are maximum for largest liquid end available. These dimensions vary depending on the liquid end selected.

Drive Assembly	Liquid End Type	Liquid End Code	Check Type	Material of Construction				Accs. Valve	
				Head/Fittings	Balls	Seat	O-ring		
P81_	AutoPrime™	910HI	Double Ball	Acrylic/PVC	Ceramic	Polyprel	Polyprel	APH + 4FV	
		918HI		PVC/PVC	Ceramic	Polyprel	Polyprel	APH + 4FV	
		P71_	Double Ball	910SI	Acrylic/PVC	Ceramic	Polyprel	Polyprel	FPH + 4FV
		P31_		915SI	PP/PP	Ceramic	PTFE	PTFE	FPH + 4FV
P01_	919SI	Acrylic/PVDF		PTFE	Polyprel	Polyprel	FPH + 4FV		
P84_	812SI	PVDF/PVDF		Ceramic	Polyprel	Polyprel	FPH + 4FV		
P74_	FastPrime™	813SI	Double Ball	PVDF/PVDF	Ceramic	PTFE	PTFE	FPH + 4FV	
P34_		818SI		PVC/PVC	Ceramic	Polyprel	Polyprel	FPH + 4FV	
P14_		718SI		PVC/PVC	Ceramic	Polyprel	Polyprel	FPH + 4FV	
P04_			Single Ball						

Drive Assembly	Liquid End Type	Liquid End Code	Check Type	Material of Construction				Accs. Valve	
				Head/Fittings	Balls	Seat	O-ring		
P85_	AutoPrime™	920HI	Double Ball	Acrylic/PVC	Ceramic	Polyprel	Polyprel	APH + 4FV	
		928HI		PVC/PVC	Ceramic	Polyprel	Polyprel	APH + 4FV	
		P75_	Double Ball	920SI	Acrylic/PVC	Ceramic	Polyprel	Polyprel	FPH + 4FV
		P35_		925SI	PP/PP	Ceramic	PTFE	PTFE	FPH + 4FV
P15_	929SI	Acrylic/PVDF		PTFE	Polyprel	Polyprel	FPH + 4FV		
P05_	822SI	PVDF/PVDF		Ceramic	Polyprel	Polyprel	FPH + 4FV		
	FastPrime™	823SI	Double Ball	PVDF/PVDF	Ceramic	PTFE	PTFE	FPH + 4FV	
		828SI		PVC/PVC	Ceramic	Polyprel	Polyprel	FPH + 4FV	
		728SI		PVC/PVC	Ceramic	Polyprel	Polyprel	FPH + 4FV	

Drive Assembly	Liquid End Type	Liquid End Code	Check Type	Material of Construction				Accs. Valve	
				Head/Fittings	Balls	Seat	O-ring		
P86_	AutoPrime™	930HI	Double Ball	Acrylic/PVC	Ceramic	Polyprel	Polyprel	APH + 4FV	
		P76_		938HI	PVC/PVC	Ceramic	Polyprel	Polyprel	APH + 4FV
		P36_	Double Ball	930SI	Acrylic/PVC	Ceramic	Polyprel	Polyprel	FPH + 4FV
		P16_		935SI	PP/PP	Ceramic	PTFE	PTFE	FPH + 4FV
P06_	939SI	Acrylic/PVDF		PTFE	Polyprel	Polyprel	FPH + 4FV		
P88_	832SI	PVDF/PVDF		Ceramic	Polyprel	Polyprel	FPH + 4FV		
P78_	FastPrime™	833SI	Double Ball	PVDF/PVDF	Ceramic	PTFE	PTFE	FPH + 4FV	
P38_		838SI		PVC/PVC	Ceramic	Polyprel	Polyprel	FPH + 4FV	
P18_		738SI		PVC/PVC	Ceramic	Polyprel	Polyprel	FPH + 4FV	
P08_			Single Ball						

Drive Assembly	Liquid End Type	Liquid End Code	Check Type	Material of Construction				Accs. Valve		
				Head/Fittings	Balls	Seat	O-ring			
P 89_	FastPrime™	940NI	Double Ball	Acrylic/PVC	Ceramic	Polyprel	Polyprel	FPH		
		P 79_		945NI	PP/PP	Ceramic	PTFE	PTFE	FPH	
		P 39_		949NI	Acrylic/PVDF	PTFE	Polyprel	Polyprel	FPH	
		P 19_	842NI	Double Ball	PVDF/PVDF	Ceramic	Polyprel	Polyprel	FPH	
			P 09_		843NI	PVDF/PVDF	Ceramic	PTFE	PTFE	FPH
			848NI		PVC/PVC	Ceramic	Polyprel	Polyprel	FPH	
		748NI	Single Ball	PVC/PVC	Ceramic	Polyprel	Polyprel	FPH		

- To specify changes in head, accessory valve, and/or connections, please refer to the model code configuration chart.
- 4FV indicates that the pump is equipped with an LMI Four Function Valve. This diaphragm type, anti-syphon/pressure relief valve is installed on the pump head.
- APH indicates that the pump is equipped with an LMI AutoPrime™ Head. This head allows for the constant removal of vapors and gases present in applications like sodium hypochlorite and hydrogen peroxide.
- Fluorofilm™ is a copolymer of PTFE and PFA. Polyprel® is an elastomeric PTFE copolymer.
- FPH indicates that the pump is equipped with an LMI FastPrime™ Head. This head has an integral manual priming valve to facilitate quick pump start-up.
- Polyprel® is a registered trademark of Liquid Metronics Incorporated. Fluorofilm™, Liquifram™, AutoPrime™ and FastPrime™ are trademarks of Liquid Metronics Incorporated. Hypalon® is a registered trademark of E.I. DuPont de Nemours & Co. Inc.

ROYTRONIC™ SERIES P

- New robust LMI solenoid design
- Increased stroking speed range (1 to 240 spm), combined with standard stroke length range (30 to 100%) allows for more precise chemical dosing
- Single-ball or double-ball check valve options enable improved pumping efficiency
- NEMA 4X / IP65 enclosure
- On/Off push button capability
- Optional, lockable clear cover
- Stroke indicator light flashes when the pump is stroking
- Simplified and more robust tubing connections eliminate metal seal rings and utilize common parts for all sizes and configurations
- New industrial watertight IP-68 electrical connectors for external equipment interface
- Optional low-level float switch connects to new low-level connector (3-Pin) and low-level indicator light that warns when chemical level is low
- External mode option has pulse input control capability through external control connector (5-Pin)
- External mode option has 4-20 mA input control capability through external control connector (5-Pin)
- New remote on/off option through external control connector (5-Pin)



ROYTRONIC™
SERIES P



www.lmipumps.com

Milton Roy Americas • 201 Ivyland Road • Ivyland, PA 18974 • Tel: (215) 293-0401 • Fax: (215) 293-0445

Milton Roy Asia Pacific • 23 Tagore Lane #03-06 • Tagore 23 Warehouse Complex • Singapore 787601 • Singapore • Tel: 6242-9182 • Fax: 6243-4249

Milton Roy - Europe • 10 Grande Rue • 27360 Pont-Saint-Pierre, France • Tel: +33 (0)2 32 68 30 00 • Fax: +33 (0)2 32 68 30 93

HSIS • Building 1, No. 879 Shen Fu Road • XinZhuang Industrial Zone • Min Hang District • Shanghai, China 201108 • Tel: 86 21 54425055 • Fax: 86 21 54425266

Milton Roy India • 4 Rajarajan Street • Visalakshi Nagar • Ekkaduthangal, Chennai 600 097 • India • Tel: 91-44-2225-4000 • Fax: 91-44-2225-4004

- **New robust design with enhanced LMI quality and added customer value**
- **New standard FastPrime™ Head and new optional AutoPrime™ Head**
- **Additional material combinations and increased stroking speeds allow for greater pump flexibility and application versatility**

